



**AERONS
SPEAKER**
PROFESSIONAL AUDIO SYSTEM



PRO15/2226

1000W RMS Power
45Hz - 3KHz Frequency Range
4 inch Voice Coil
97.3dB Sensitivity
Optimized magnet and FEA analyse

GENERAL SPECIFICATIONS

Nominal Diameter	15inch
Nominal Impedance	8ohm
Minimum Impedance	5.6 ohm
Nominal Power Handling	1000 Watts
Continuous Power Handling	4000 Watts
Sensitivity	97.3 dB
Frequency Range	45-3 KHz
Voice-coil Diameter	99.3 mm
Voice-coil Material	CCAW
Kind of layer	in/out
Magnet Diameter	220*30mm
Magnet Material	Ferrite

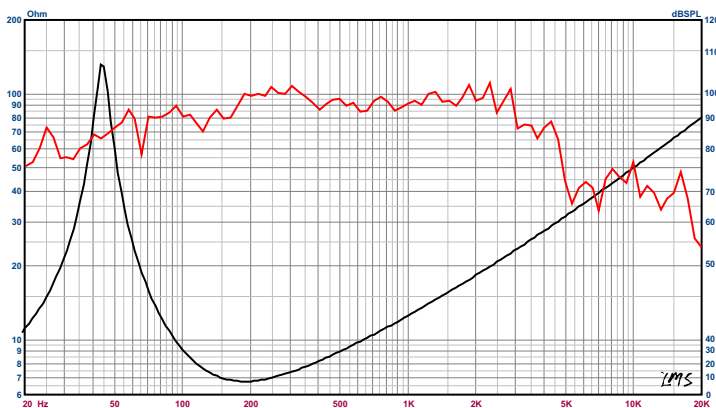
THIELE-SMALL PARAMETERS

Resonance Frequency	Fs	45Hz
DC Resistance	Rte	5.6 ohm
Mechanical Factor	Qms	7.636
Electrical Factor	Qes	0.367
Total Factor	Qts	0.35
BL Factor	BL	20.5 T-m
Effective Moving Mass	Mms	97 gr
Equivalent Cas Air Load	Vas	173.4.2liter
Effective Piston Area	Sd	0.88Kcm2
Max. Linear Excursion	Xmax	8.8mm
Vibration velocity	Cms	0.127

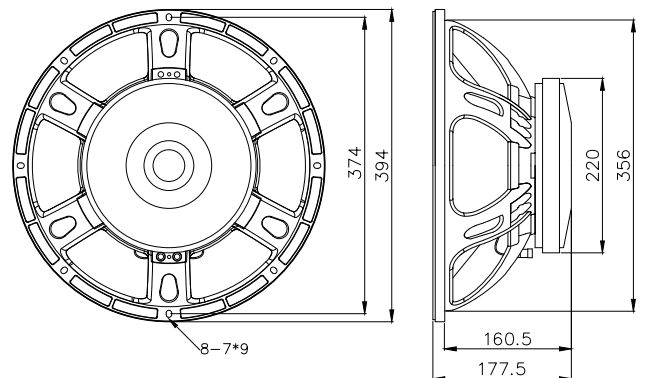
MOUNTING&SHIPPING INFORMATION

Overall Diameter	394mm
Baffle Cut-out Dia.	356mm
Bolt Circle Dia.	374mm
Gasket Thickness	14mm
Overall Depth	177.5mm
Net Weight	13.05kg

FREQUENCY RESPONSE AND IMPEDANCE CHART



DIMENSIONS (mm)



**AERONS
SPEAKER**
PROFESSIONAL AUDIO SYSTEM

www.aeronsindia.com