



AERONS (INDIA)

# DELTA 15

15" Full Range Passive Monitor

POWERING YOUR

STAGE PRESENCE



**800W**  
RMS POWER



**1x15"**  
WITH 4" VC



**1x1.5" EXIT**  
WITH 3" VC



**8ohm**  
IMPEDANCE



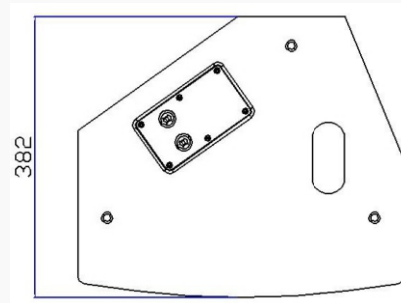
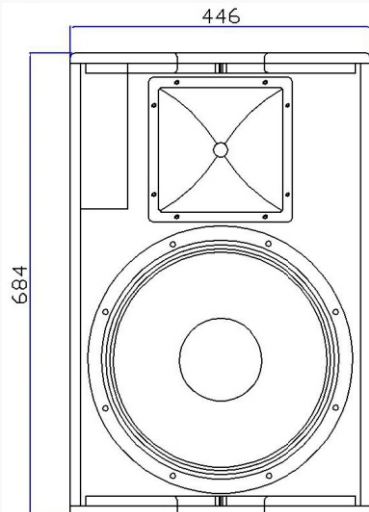
AERONS (INDIA)

# DELTA 15

15" Full Range Passive Monitor

## Technical Specifications

<b>Design</b>	Single 15" Full Range Monitor	
<b>Components</b>	<b>LF Driver</b>	1x15" Driver with 4" voice coil
	<b>HF Driver</b>	1x1.5" Throat Driver with 3" voice coil
<b>RMS Power</b>	800W	
<b>Peak Power</b>	3200W	
<b>Frequency Range</b>	45Hz-19kHz	
<b>Impedance</b>	8 ohms	
<b>Sensitivity</b>	96dB	
<b>Max SPL</b>	133dB	
<b>Crossover Frequency</b>	1.2kHz	
<b>Dispersion (H x V)</b>	80x50 Degree	
<b>Connectors</b>	2xSpeakON NL4	
<b>Enclosure Material</b>	Plywood	
<b>Paint Finish</b>	Scratch Resistant Sand Paint	
<b>Dimensions</b>	382x446x684mm	
<b>Net Weight</b>	30.1Kg	



FOR MORE INFO & CATALOG





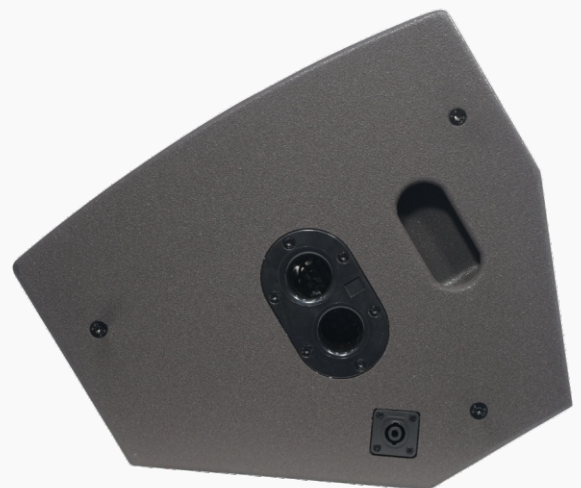
AERONS (INDIA)

# DELTA 15

*15" Full Range Passive Monitor*



**3D Monitor View**



**Side View**