



**AERONS
SPEAKER**
PROFESSIONAL AUDIO SYSTEM

4590ND

Single Coil Pressure Mid
150W RMS Power
400Hz - 7kHz Frequency Range
90mm Voice Coil
118dB Sensitivity



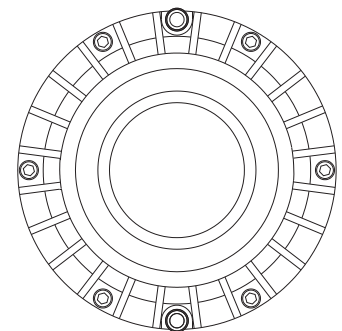
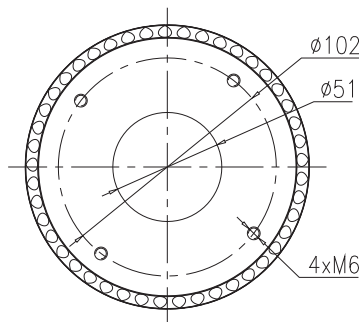
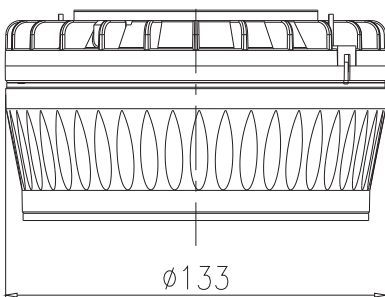
GENERAL SPECIFICATIONS

Throat Diameter	50mm
Nominal Impedance	8ohms
Program Power	300W
Nominal Power	150W
Sensitivity	118DB (1m/1w)
Frequency Range	400Hz-7kHz
Voice-coil Diameter	90mm
Voice Coil Material	Copper Clad Aluminum
Diaphragm	Polyimide
Magnet Material	Neodymium

MOUNTING & SHIPPING INFORMATION

Overall Diameter	133mm
Mounting holes Number	M6*4
Mounting Bolt Diameter	102mm
Overall Depth	68mm
Speaker Weight (N.W)	2.05kg

CONFIGURATION



**AERONS
SPEAKER**
PROFESSIONAL AUDIO SYSTEM